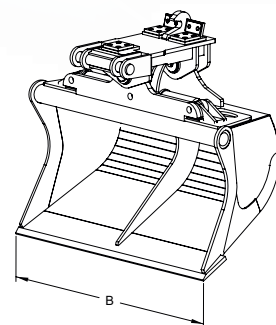
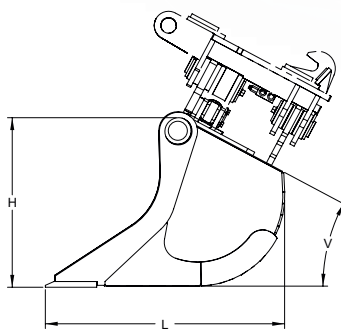


HYDRAULIC GRADING BUCKETS

55-2500 litres/SAE, horizontal cylinder

1000-2500 litres/SAE, vertical cylinder

SMP's Grading Buckets have been designed to carry out precision work. A long service life and a robust construction able to withstand tough work and conditions makes the grading buckets ideal for all kinds of grading work. The buckets have a solid construction with conical edges, minimized corners and a large opening. Horizontal or vertical tilt cylinders, depending on the model, provide maximum stability even at a 45° tilting angle. The angle between the attachment and the bucket bottom optimised for each model, which means that every bucket is highly manoeuvrable and easy to use. The buckets have both a protective cylinder cover and spill guard to protect the important moving parts.



*Vertical tilt cylinder does not have a cylinder protection shield.

TECHNICAL SPECIFICATIONS GRADING BUCKETS HYDRAULIC

Model	Volume (l)	Width (mm)	Length (mm)	Height (mm)	Angle	Approx weight (Kg)
SL 55	55	1000	380	290	40	90
SL80	80	1000	500	300	40	100
SL 110	110	1000	510	380	25	140
SL 150	150	1050	710	430	30	170
SL 210	210	1200	750	440	30	220
SL 230	230	1300	750	440	30	240
SL 300	300	1300	810	510	25	330
SL 350	350	1300	860	540	30	360
SL 400	400	1500	860	540	30	400
SL 450	450	1500	950	540	30	410
SL 500	500	1500	950	660	15	615
SL 650	650	1500	1060	710	28	750
SL 750	750	1600	1060	710	28	790
SL 900	900	1800	1060	710	28	880
SL 1000	1000	1800	1350	790	28	1320
SL 1150	1150	2000	1350	790	28	1420
SL 1400	1400	2000	1260	890	28	1580
SL 1600	1600	2000	1300	960	28	1650
SL 1800	1800	2400	1380	850	28	2150
SL 2200	2200	2300	1680	1040	25	2650
SL 2500	2500	2600	1680	1040	25	3010

Weights can vary depending on design of product

