

Scan



ST28 FX

22-28 ton machines

The ST28 FX is the largest tiltrotator, suitable for excavators of 22-30 tons. Improved hydraulics include a pressure relief valve directly on the motor, load holding valves on the cylinders, and a single hydraulic distribution block for improved efficiency.

Available now with a high flow swivel, optimized for use with attachments requiring up to 200l/min of flow. An innovative electric swivel can be added for further flexibility, enabling the transmission of sensor or CAN signals.

Equipped with a new built-in encoder, the tiltrotator can be integrated with machine guidance or control systems, enabling more efficient and precise operation.

* Read more on smpparts.com

FEATURES

- Available with S70 Hardlock or FC70 Open-S couplers. Other quick coupler systems available on demand
- Up to 45 degrees of tilting
- Endless rotation
- Rotation sensor included on MACS control systems
- Central lubrication as standard
- Load holding valves on cylinders, for maximum safety
- Optional telescopic cylinders, reducing the total width
- Optional gripper, with exceptionally wide opening

CONTROL SYSTEM

Available with SVAB's MACS proportional control system, MIC4.0 or 4-hose solutions. Other systems available on request.

ELECTRICAL SYSTEM

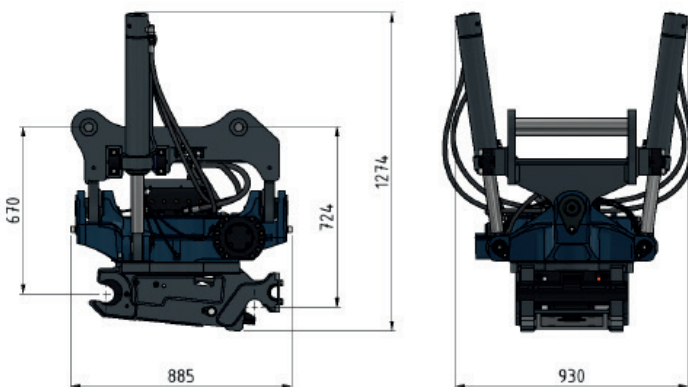
For 24V systems.

SPECIFICATIONS

Specifications	ST28 FX
Tilt angle max (°)	45
Weight from (kg)	770
Max breakout force kN (ISO)	180
Flow extra outlet (l/min)	60-65
High flow NG10 (l/min)	120
High flow "bypass" (l/min)	200

Specifications	Grip
Weight (kg)	139
Opening width (mm)	939

Dimensions, weights and tilt angle may vary depending on the configuration.



Dimensions for ST28 with S70 Hardlock